

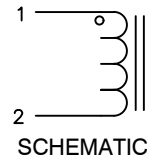
The information contained in this drawing is the sole property of CWS Coil Winding Specialist. Any reproduction in part or whole without written permission of CWS Coil Winding Specialist is prohibited.

DIMENSIONAL TOLERANCES
INCHES [MM]

A MAX	B MAX	C TYP	D REF	X REF
1.10 [27.94]	0.48 [12.19]	0.50 [12.70]	0.05 [1.27]	0.37 [9.40]

REVISION HISTORY

REV	ECN	DESCRIPTION	SIGN & DATE			
			BY	DATE	CHK	DATE
B	—	UPDATED SPEC.	TDK	6/09/04	JLAU	6/09/04
C	—	UPDATED SPEC.	TN	07/11/2020	JL	07/11/2020



7 BUILD TO RoHS COMPLIANCE AND LEAD FREE.

USING A PERMANENT MARKING METHOD
MARK PART NUMBER, REVISION AND DATE CODE
WRAP INDUCTOR WITH 3M # 79 OR EQUAL

6 (I.E. COIL MUST REST FLAT ON PCB). LEADS MUST BE TANGENT TO THE CORE
REMOVE INSULATION AND TIN LEADS 0.5 INCH, FLUSH WITH THE COIL EDGE

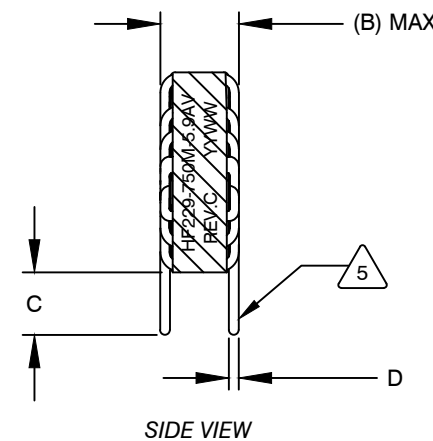
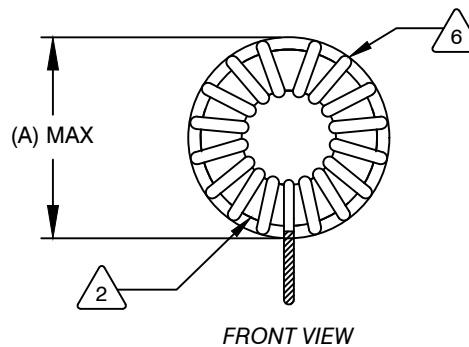
5 WIND COILS EVENLY SPACED AROUND THE CORE
4 CONSTRUCTION:

THESE SPECIFICATIONS ARE BASED ON LOW RIPPLE CURRENT
WEIGHT: 50 GRAMS TYPICAL
INTERWINDING CAPACITANCE = 18.5pF TYP @ SRF
SRF = 4.1MHz TYP
|Z| = 17.1KILO-OHMS TYP @ SRF
RECOMMENDED AMBIENT OPERATING TEMP: -40°C TO 155°C
HI-POT TEST FOR WINDING TO CORE ISOLATION = 500VDC MIN.
CURRENT RATING : 5.9 AMPS, 40°C TEMP. RISE WITH SOME AIR FLOW
DCR = 30 MILLI-OHMS MAX.
INDUCTOR DC BIAS: SEE TABLE ON THE RIGHT
INDUCTANCE = 75uH±10% @ 0 AMP DC BIAS, 1.0 KHz, 250mV

3 SPECIFICATIONS: @ 25°C:

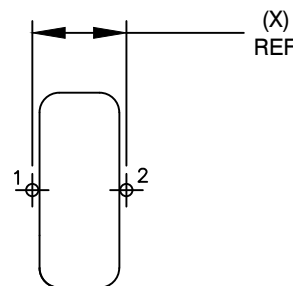
2 WIRE: UL RECOGNIZED 200°C RATED MAGNET WIRE
CORE: POWDERED TOROIDAL CORE, CWS BYTEMARK OR OTHER APPROVED PART

1 MATERIAL: UL RECOGNIZED 94V-0 FOR FLAMMABILITY, RATING CLASS B (130°C MIN.) REQUIRED
ANY TOLERANCE. THIS DIM. CAN VARY A LITTLE FROM PART TO PART.
"TYP" IN DIM. TOL. TABLE REFERS TO A NON-CRITICAL TYPICAL (AVERAGE) DIM. WITHOUT
NOTES: UNLESS OTHERWISE STATED, READ NOTES FROM BOTTOM UP.
CAGE CODE: 5DME2



DC BIAS TABLE

DC BIAS (AMP)	L@ 1KHz (REF)
0	77uH
1	76uH
2	76uH
4	75uH
5	72uH
5.9	71uH



CODE IDENT	MFG. P/N	DESCRIPTION	ITEM NO.
PARTS LIST			
AUTOCAD	X	COILWS COM, INC www.coilws.com	CWS Coil Winding Specialist. 1510 E. Edinger Ave. Unit B. Santa Ana, CA. 92705
SOLIDWORKS			
DRAWN	TDK 2/8/04	TITLE: TOROIDAL POWER INDUCTOR 75uH, 5.9 Amps, Vertical	
CHECKED	JLAU 2/9/04		
ENGR.	KSUM 3/5/04		
APPR.	JLAU 3/6/04		
SIZE	DWG. NO.	HF229-750M-5.9AV	REV C
SCALE		2=1	SHEET 1 OF 1

UNLESS OTHERWISE SPECIFIED	
DIMENSIONING AND TOLERANCE PER ANSI Y14.5M	
ALL DIMENSIONS ARE IN INCHES AND [MILLIMETERS].	
TOLERANCE INCHES: .XXX=±.005 .XX=±.015 $\angle=±0°30'$	
TOLERANCE METRICS: .XXX=±.127 .XX=±.38 $\angle=±0°30'$	
ANGLE PROJECTION	
DO NOT SCALE DRAWING	

CAD-FILE: